



**Rated inductance 1  $\mu$ H .. 1000  $\mu$ H**

### Construction

- Ferrite core
- Winding: enamel copper wire
- Winding soldered to terminals
- Plastic terminal carrier

### Features

- Very high rated current
- Low DC resistance
- Suitable for reflow soldering

### Applications

- Filtering of supply voltages
- Coupling / decoupling
- DC/DC converters
- Automotive electronics
- Telecommunications

### Terminals

- Tinned

### Marking

Marking on component:  
Manufacturer, L value (in  $\mu$ H), date code

Minimum marking on reel:  
Manufacturer, part number, ordering code,  
L value and tolerance  
quantity, date of packing

### Delivery mode

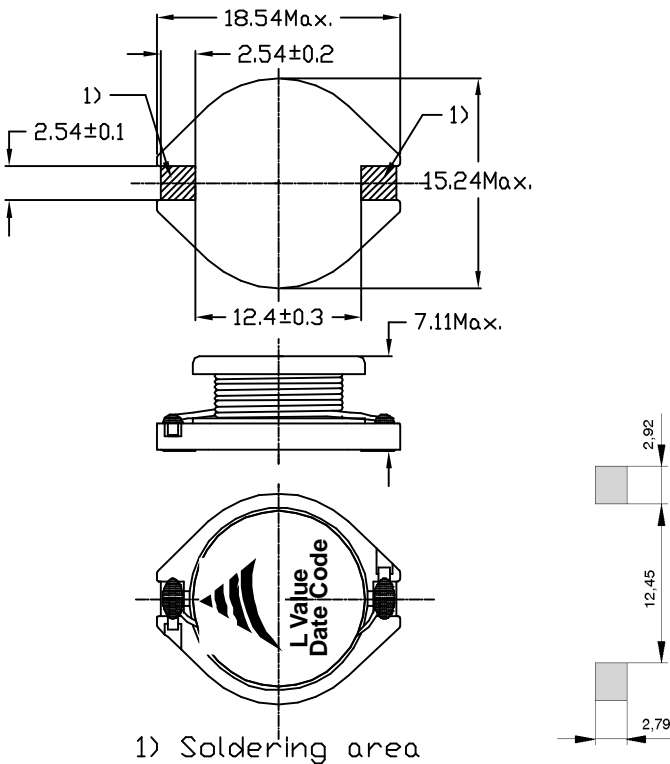
32–mm blister tape , reel packing  
packaging quantity 250pcs/reel

**SMD**

**General technical data**

Rated inductance $L_R$	Measured with HP 4284A , measuring voltage 100 mV
Rated current $I_R$	Maximum permissible DC with temperature increase of $\leq 40$ K at ambient temperature of 85 °C
Saturation current $I_{sat}$	Maximum permissible DC with inductance decrease $\Delta L/L_0 \approx 10\%$
Climatic category	In accordance with IEC 60068-1 55/125/56 (-55 °C/ +125 °C/ 56 days damp heat test)
Solderability	5s, 235°C, wetting > 90%
DC resistance $R_{max}$	Measured at 20 °C ambient temperature
Weight	Approx. 3g

**Dimensional drawing and layout recommendation**




**Characteristics and ordering codes**

$L_R$ $\mu\text{H}$	$f_L$ MHz	Tolerance	$I_R$ A	$I_{\text{sat}}$ A	$R_{\text{max}}$ $\Omega$	Ordering code
1,0	0,1	20 %	8,6	20	0,011	B82479-A1102-M
2,2	0,1	20 %	7,1	16	0,014	B82479-A1222-M
3,3	0,1	20 %	6,2	14	0,016	B82479-A1332-M
5,6	0,1	20 %	5,3	12	0,022	B82479-A1562-M
10	0,1	20 %	4,3	10	0,032	B82479-A1103-M
15	0,1	20 %	4,0	8,0	0,036	B82479-A1153-M
22	0,1	20 %	3,5	7,0	0,047	B82479-A1223-M
33	0,1	20 %	3,0	5,5	0,066	B82479-A1333-M
47	0,1	20 %	2,6	4,5	0,087	B82479-A1473-M
68	0,1	20 %	2,3	3,5	0,13	B82479-A1683-M
100	0,1	20 %	1,8	3,0	0,19	B82479-A1104-M
150	0,1	20 %	1,5	2,6	0,25	B82479-A1154-M
220	0,1	20 %	1,2	2,4	0,38	B82479-A1224-M
330	0,1	20 %	1,0	1,9	0,56	B82479-A1334-M
470	0,1	20 %	0,82	1,4	0,85	B82479-A1474-M
680	0,1	20 %	0,72	1,2	1,20	B82479-A1684-M
1000	0,1	20 %	0,56	1,0	1,80	B82479-A1105-M



Typical diagrams

